

OWANCE
(1/4")

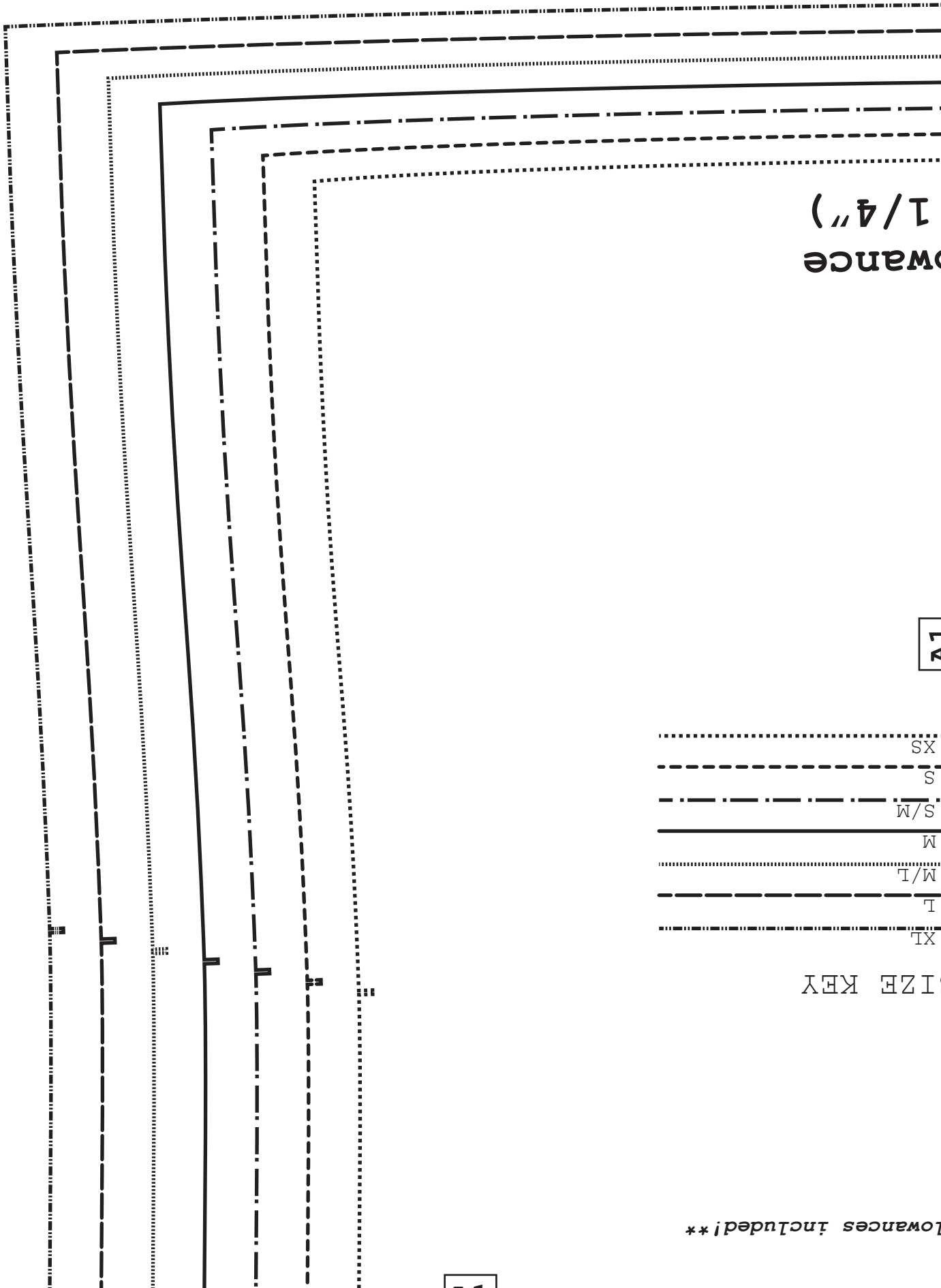
A1

.....	SX
-----	S
- - - - -	M/S
—————	M
.....	M/I
-----	I
.....	XL

SIZE KEY

Lowances included! **

A1



Back
Cut 2x fabric
*Hem and seam a

Hem all
3 cm (1

Grainline

center back

A1

A2

A2

ce
)

A3

edpatterns.wordpress.com
Model #UP1027
Sizes XS-XL
Front
Cut 1x fabric
in allowances included!*

unfettered
—unfettered patterns—

A3

Cut this edge
on the fold of the fabric



A2

Hem allowance
3 cm (1 1/4

A3

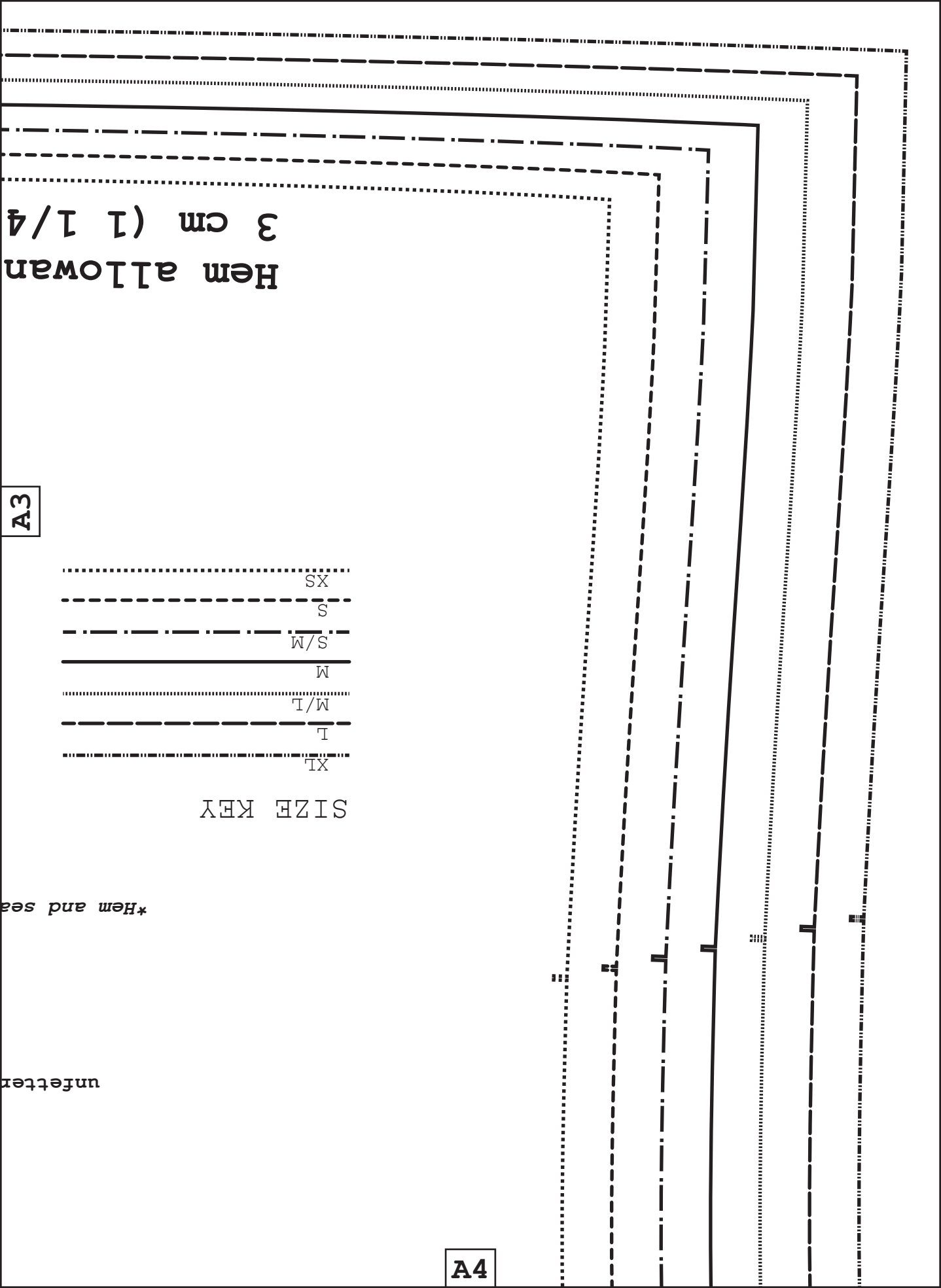
.....	SX
-----	S
- - - - -	M/S
—————	M
.....	M/L
-----	L
- - - - -	XL

SIZE KEY

*Hem and seam

unfettered

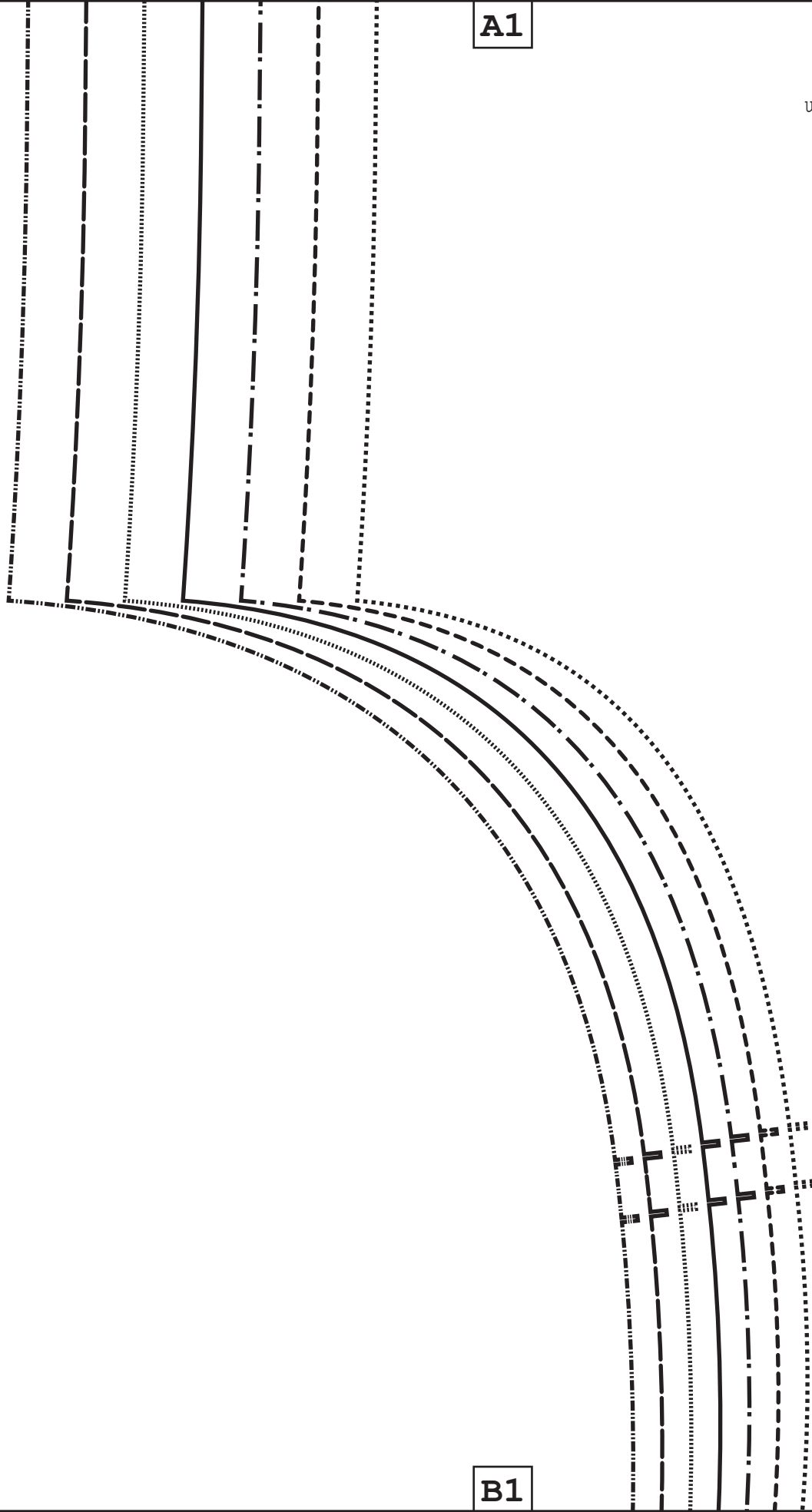
A4



A1

B1

B1



unfetter
-unfettered p

unfettered pattern
Model #UP1027
Sizes XS-XL

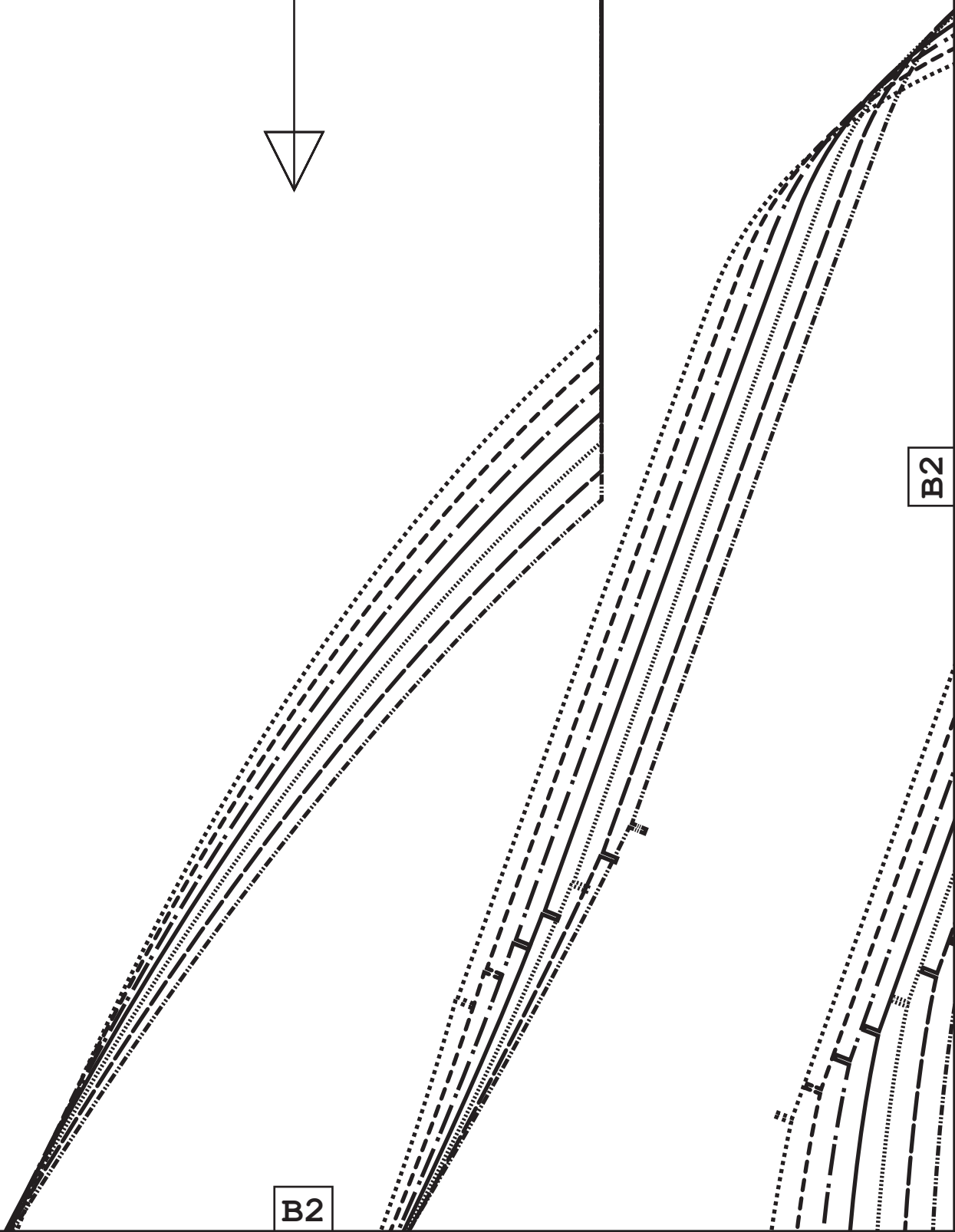


A2

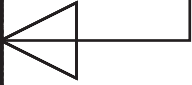
B1

B2

B2



A3



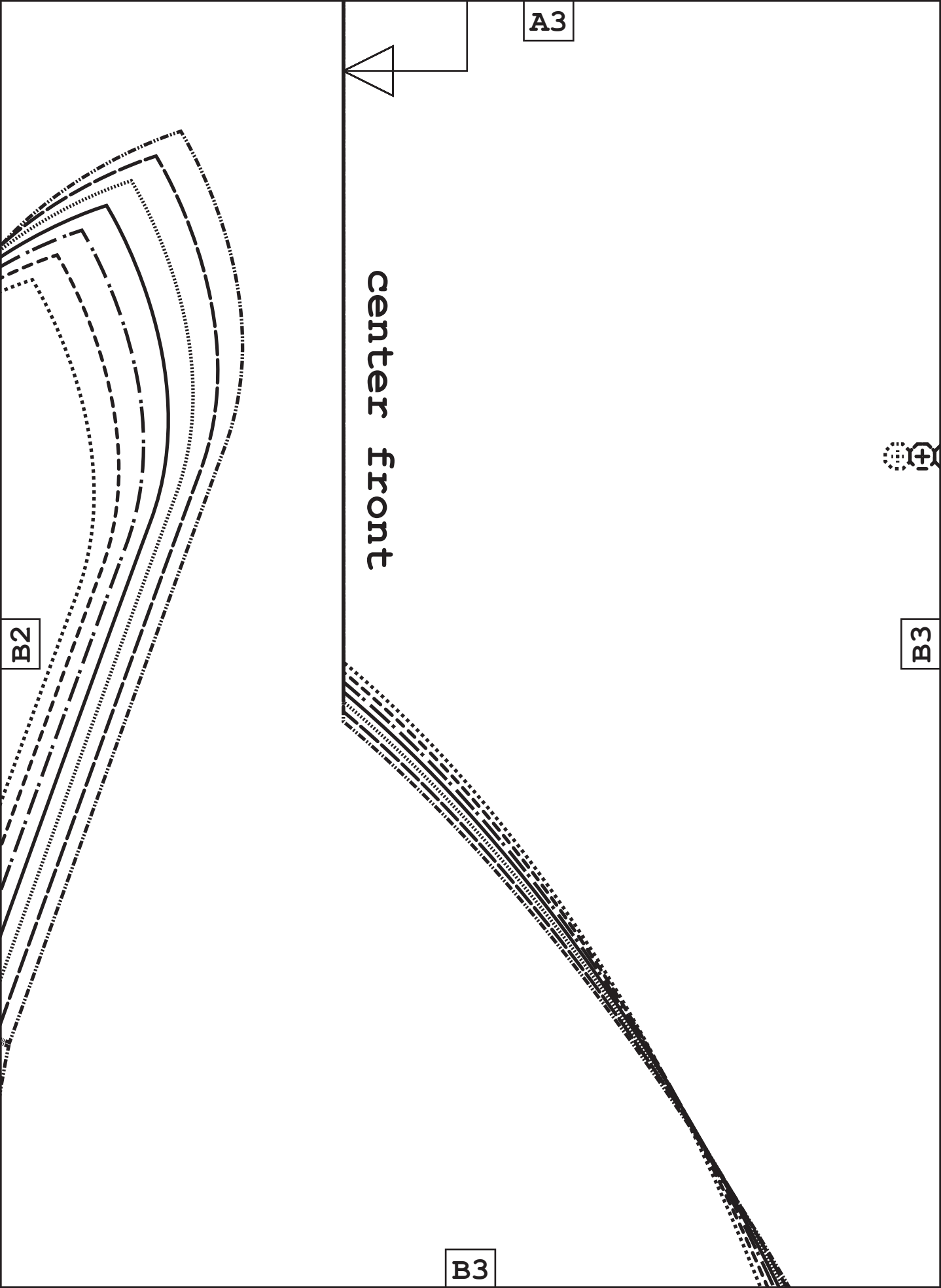
center front



B3

B3

B2

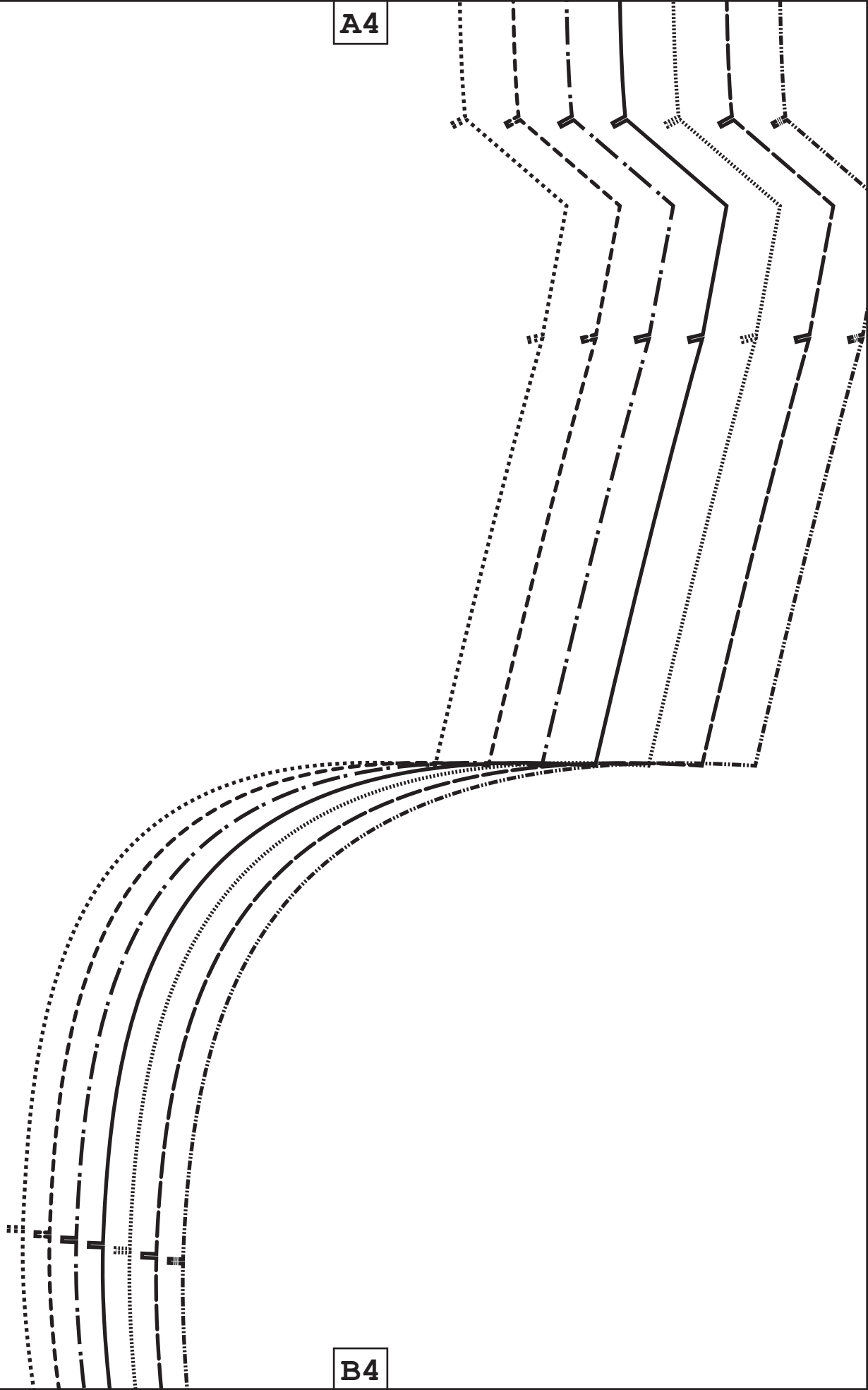


A4

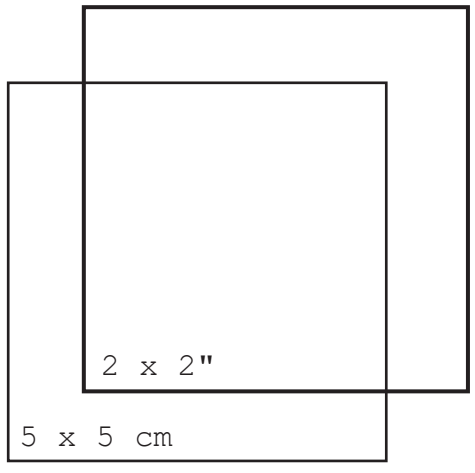


B3

B4



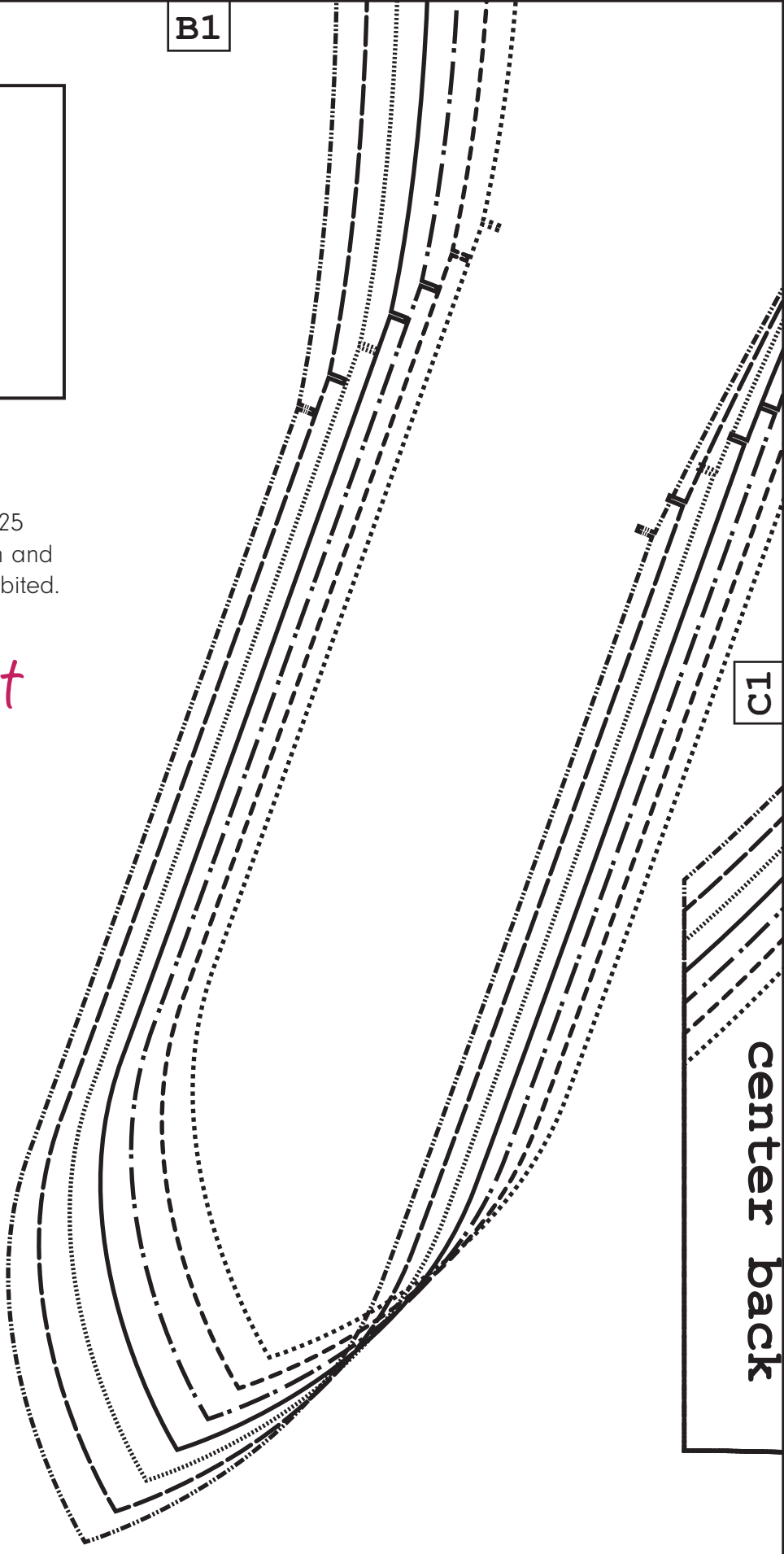
B1



© Unfettered Patterns 2025
 This is a free sewing pattern and
 resale or distribution is prohibited.

Tiling layout

A1	A2	A3	A4
B1	B2	B3	B4
C1	C2	C3	C4
	D3	D4	



C1

center back

B2

C1



Grainline

C2

unfettered
— unfettered patterns —

unfetteredpatterns.wordpress.com

Model #UP1027

Sizes XS-XL

Back facing

Cut 2x fabric

**Hem and seam allowances included*

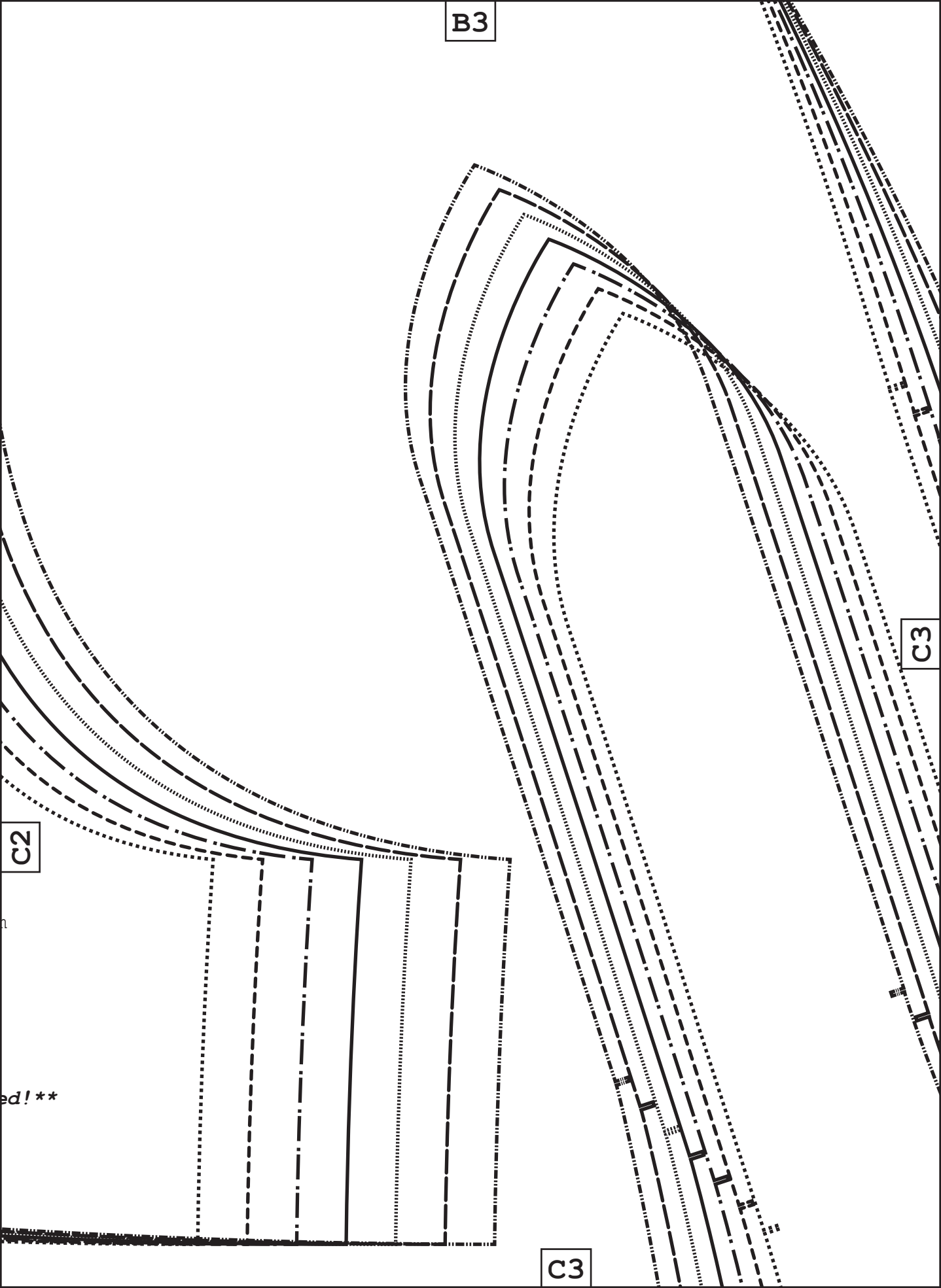
B3

C3

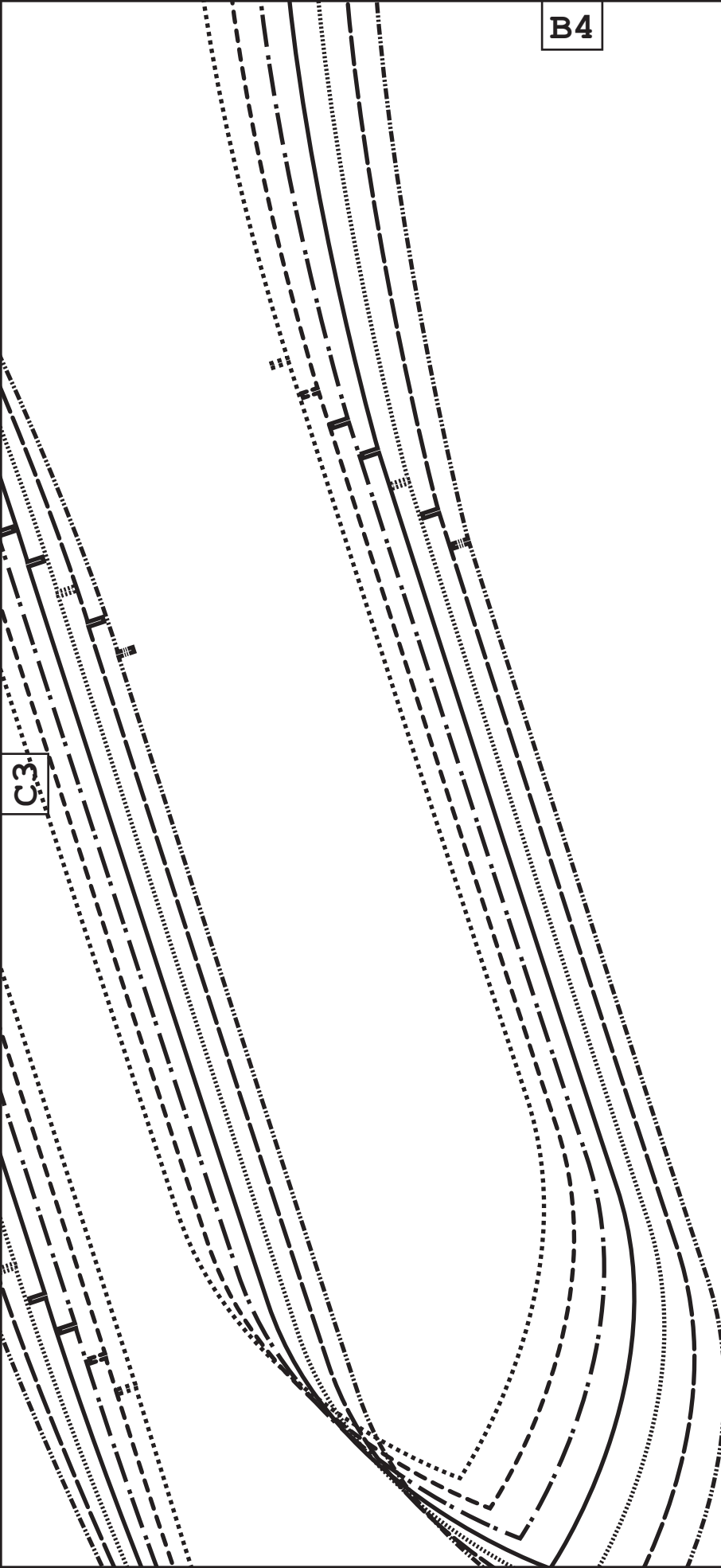
C2

C3

ed!**



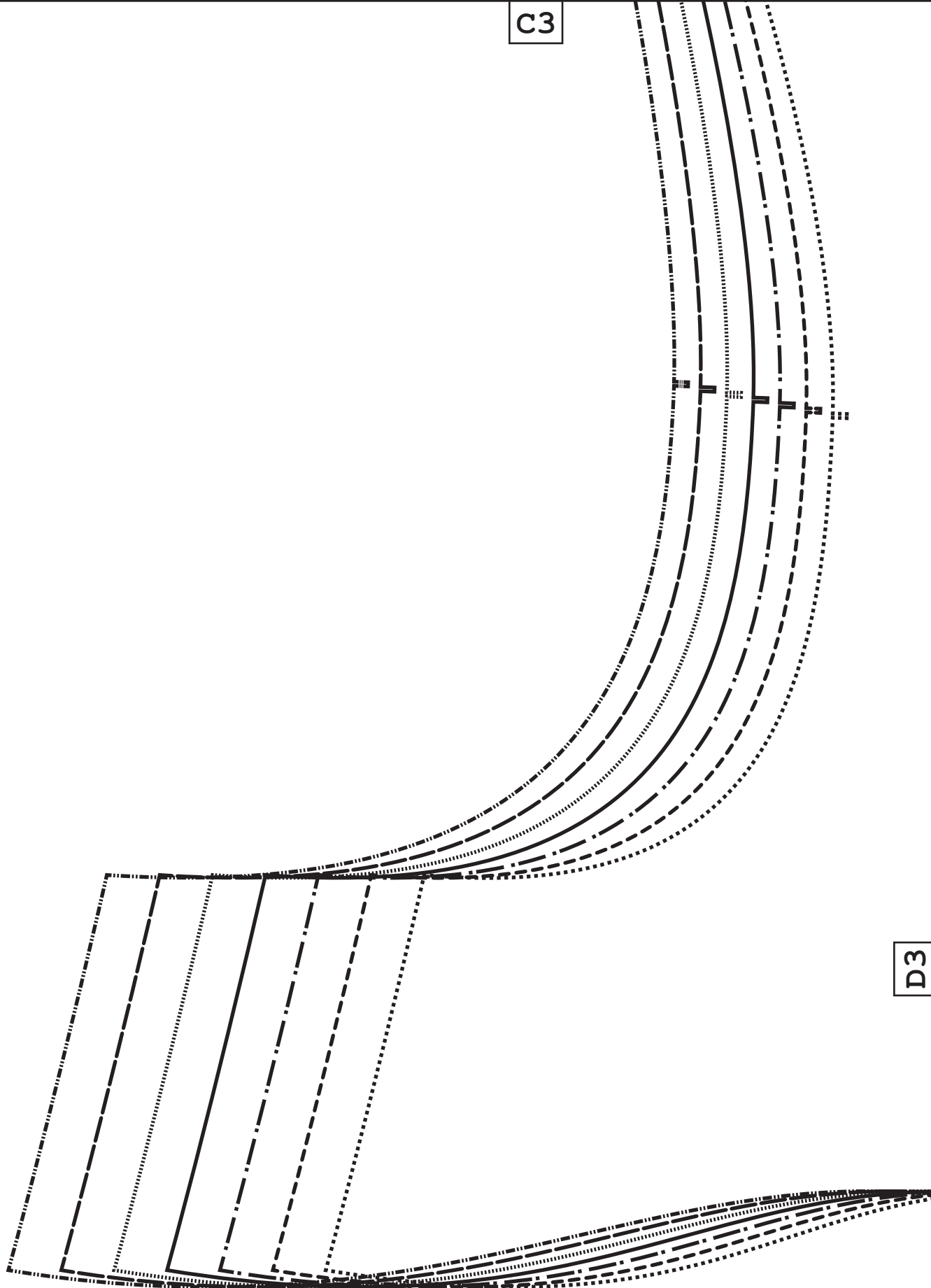
B4



C3

C4

C3



D3

C4

unfettered
— unfettered patterns —

unfetteredpatterns.wordpress.com

Model #UP1027

Sizes XS-XL

Front facing

Cut 2x fabric

Hem and seam allowances included!*

center front

Grainline

D3

